

RECLOSER NOVA15

Three-phase recloser, electronically controlled, manufactured and tested in accordance with IEEE C37.60-2003™ (Cooper Power Series).
 Recloser Part Number: KN15.1AW60A.CPRP1.ALA1.JXX.AXX.XXX.E REV4.3 - March 11, 2021

1 Electrical Characteristics	
Nominal Voltage (kV)	15.0
Maximum Voltage (kV)	15.5
Basic Impulse Level, Wave 1,2 x 50 us (kV)	110
Power Frequency Withstand, Dry, Over 1 Minute (kV)	50
Power Frequency Withstand, Wet, Over 10 Seconds (kV)	45
Radio Noise Limit (µV)	100 @ 9,4 kV
Rated Continuous Current (A)	630
Short Circuit Current, Symmetrical (kA / 1 second)	12.5
Frequency (Hz)	60
Making Current, Asymmetrical Peak (kA)	32
Cable Current Load (A)	10
Heater Voltage	127 Vac
Weight (kg)	91
Creepage Distance (mm) - Terminal to Terminal	1040
Creepage Distance (mm) - Lower Terminal to Ground / Earth	772
Minimum Mechanical Operations without Maintenance	10,000
Operation Cycle	O-0,3s-CO-1,8s-CO-1,8s-CL
Dimensions (mm)	See the Reference Drawings
Measure A (mm)	80
Measure B (mm)	847
Measure C (mm)	564

2 Standard Components	
·	3 Vacuum-interrupting Pole Assembly with Epoxi Isolation
·	Internal Current Sensors (Installed in the Source Side Bushing) with Ratio 1000:1 A
·	Open / Close Mechanism
·	Magnetic Actuator
·	Manual Open Handle
·	Data Plate
·	Lifting Lugs
·	Open / Close Contact Position Indicator

3 Specific Components	
Recloser Type	Control Powered
Supporting Structure	Round Pole
Type of Installation	Front Mount Hanger
Recloser Tank Material	Aluminium
Tank Finishing	Painted According to ETA-011 - MUNSELL N6.5 - Thickness 75 µm
Terminal Connector	1/0 - 500 MCM (54 - 240 mm²)
Recloser Ground Connector	10 - 70 mm²
Internal Voltage Sensor	03 Internal Voltage Sensor
External Voltage Sensor	Not Included
Auxiliary Contacts	Not Included
Accessories	Mechanical Operation Counter
Phase Identification	Not Included
Source / Load Identification	Not Included
Additional Structure	Not Included
Potential Transformer	Not Included
Surge Arresters	Not Included
Labels Language	English

4 References	
·	S280-42-1 (Installation and Operation Instructions)

MICROPROCESSOR-BASED RECLOSER CONTROL TYPE F6P

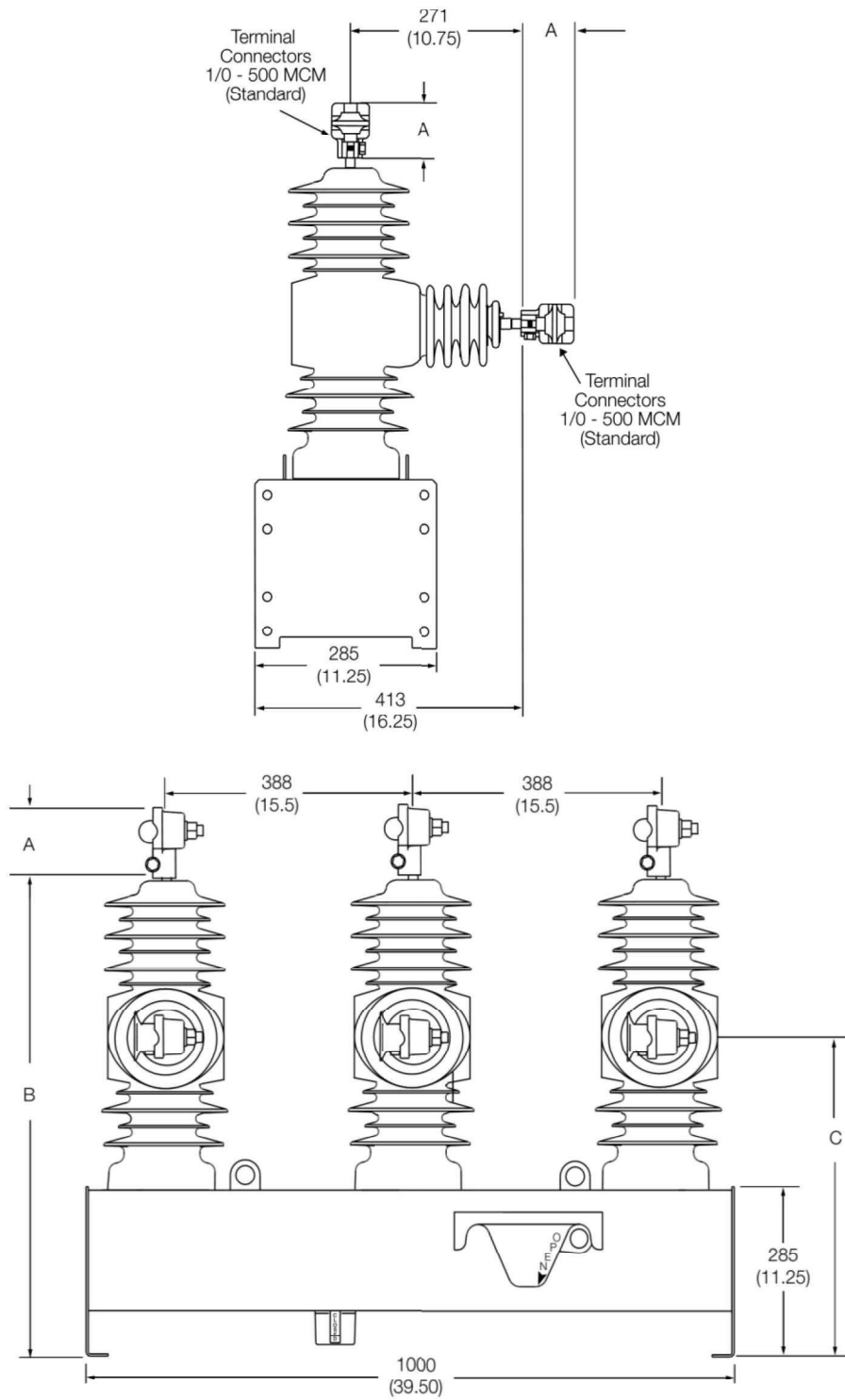
Recloser microprocessor-based control, manufactured and tested in accordance with IEEE C37.60-2003™ (Cooper Power Series).

Control Part Number: F6P.AA1.EM1.1XXXXX 10.XRJX.XX.XX.02.E

REV4.3 - March 11, 2021

1 Functions	
<ul style="list-style-type: none"> · Three-Phase Overcurrent Protection 50 / 51 · Ground Protection 50 / 51N + 51GS · Negative Sequence Protection 50 / 51Q · Directional Overcurrent Protection 67 / 67N · Under / Overvoltage Protection 27 / 59 · Under / Overfrequency Protection 81U/O · Automatic Reclosing 79 · Sync-check 25 · Cold Load Pickup / Inrush Current · High Current Trip / Block 	<ul style="list-style-type: none"> · Fast Trip Disable · Hot Line Tag · Fault Location · Sequence Coordination · Programmable Reset · Breaker Fail · Target LEDs · Logic Workbench™ · Keyboard for View / Modify Parameters · Digital Display
2 TCC	
<ul style="list-style-type: none"> · Curve Modifiers · TCC Editor · IEC Curves (Inverse, Very Inverse, and Extremely Inverse) 	<ul style="list-style-type: none"> · ANSI Curves (Inverse, Very Inverse, and Extremely Inverse) · 38 Kyle Curves
3 Measures / Other	
<ul style="list-style-type: none"> · Instantaneous / Demand Current · Instantaneous / Demand Voltage · Real, Reactive and Apparent Power, Single and Three Phase · Instantaneous Power Factor · Energy 	<ul style="list-style-type: none"> · Instantaneous Frequency · Event Register · Operation Counters · Harmonics up to 15^a · Interactive Oscillography
4 Adjusts	
<ul style="list-style-type: none"> · Minimum Phase Pickup · Minimum Ground Pickup · SEF Pickup · Reclosing Interval · Reset Interval · Operations to Lockout · Sequence Coordination Operations 	<p>10 – 1600 A</p> <p>5 – 800 A</p> <p>0,5 – 100 A</p> <p>0,3 – 1000 s</p> <p>3 – 1800 s</p> <p>1, 2, 3 or 4</p> <p>1, 2 or 3</p>
5 Power Supply	
<ul style="list-style-type: none"> · Control Power Supply: 127 Vac · Auxiliary Supply: 127 Vac · Backup Battery: 02 Batteries (12 Vdc + 12 Vdc - 12 Ah) 	
6 Control Housing Cabin	
<ul style="list-style-type: none"> · Control Cabinet Type: Cabinet with Front and Rear Access · Material of Control Cabinet: Mild Steel · Finishing: Painted According to ETA-005 - MUNSELL N6.5 - Thickness 150 µm · Cabinet Ground Connector: 10 - 70 mm² · Protection Degree: IP53 · Control Cabinet Accessories: Not Included · Outlet: Not Included · Other Accessories: Not Included · Radio Support: Not Included · Auxiliary Contacts: Not Included · Control Cable Length (m): 10 	
7 Communication Interface	
<ul style="list-style-type: none"> · Standard I/O: 03 Inputs / 05 Outputs Programmable (9-290 Vdc / 7-265 Vac) · Additional I/O: Not Included · Standard Communication Ports: <ul style="list-style-type: none"> 1x RS-232 Front - Local Configuration 1x RS-232 Rear - Remote Supervision · Additional Communication Port: Ethernet RJ-45 + RJ-45 · Connector Converter: Not Included · Communication Protocols: DNP 3.0 / MODBUS (Serial) / CPS-2179 / IEC-870-5-101 / IEC-870-5-104 · Communication Accessories: Not Included · Software Version: Proview 5.0 REV1 · Labels Language: English 	
8 References	
<ul style="list-style-type: none"> · S280-70-3 (Control) · S280-70-21 (F6 Control Programming Guide) 	

REFERENCE DRAWINGS - RECLOSER

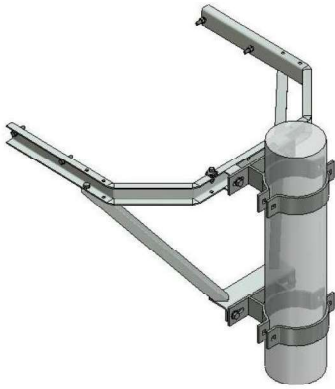


NOTE 1: All dimensions are mm (inches). Dimensions shown are approximate.

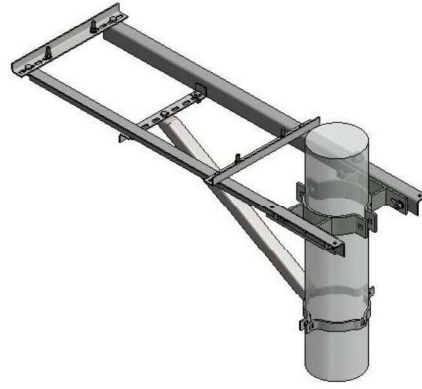
NOTE 2: Illustrative drawing. Cannot be used as final project.

NOTE 3: The connectors drawing are illustrative but the dimensions shown corresponds to the connector offered.

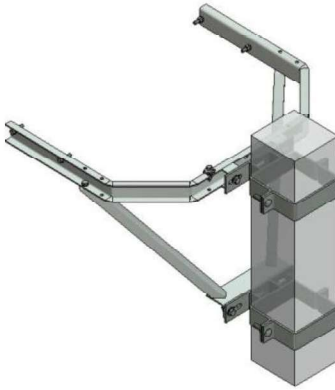
REFERENCE DRAWINGS - MOUNTING STRUCTURE



01



02



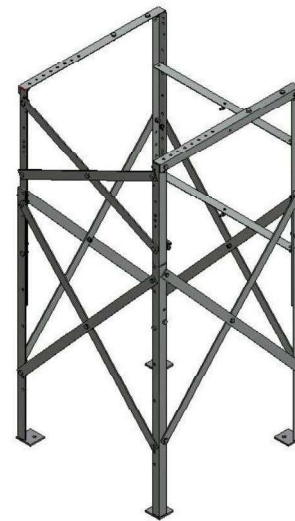
03



04



05



06

Legend:

01: Round Pole - Front Mount Hanger.
02: Round Pole - Side Mount Hanger.
03: Square Pole - Front Mount Hanger.

04: Square Pole - Side Mount Hanger.
05: Yard - 2 Floor Standing Supports.
06: Yard - 4 Floor Standing Supports.