

15/25kV

600A Deadbreak Bushing

K650-S1, K675S1



Features:

- 25kV, 600 Amp (For 900 A use cat# K675S1)
- Conductive shield made of molded conductive EPDM makes positive ground contact with EPDM flange of bushing insert.
- Stainless steel flange resists corrosion and can be externally clamped or welded to apparatus.
- Epoxy structure with exceptionally high physical, electrical, and chemical resistance properties.
- Interface meets ANSI/IEEE 386 dimensional criteria for proper fit of mating parts.

K650-S1, K675S1

Deadbreak Bushings (For in-oil and SF6 application)

Applications:

Elastimold K650-S1/K675S1 series bushings are designed for and will universally accept Elastimold 600A Elbow or bushing extender interfaces. These are designed to be directly mounted in electrical apparatus on 600-Amp systems, through 25kV. K675S1 are used for **900 A** applications, with the same dimensions.

Typical applications would be in:

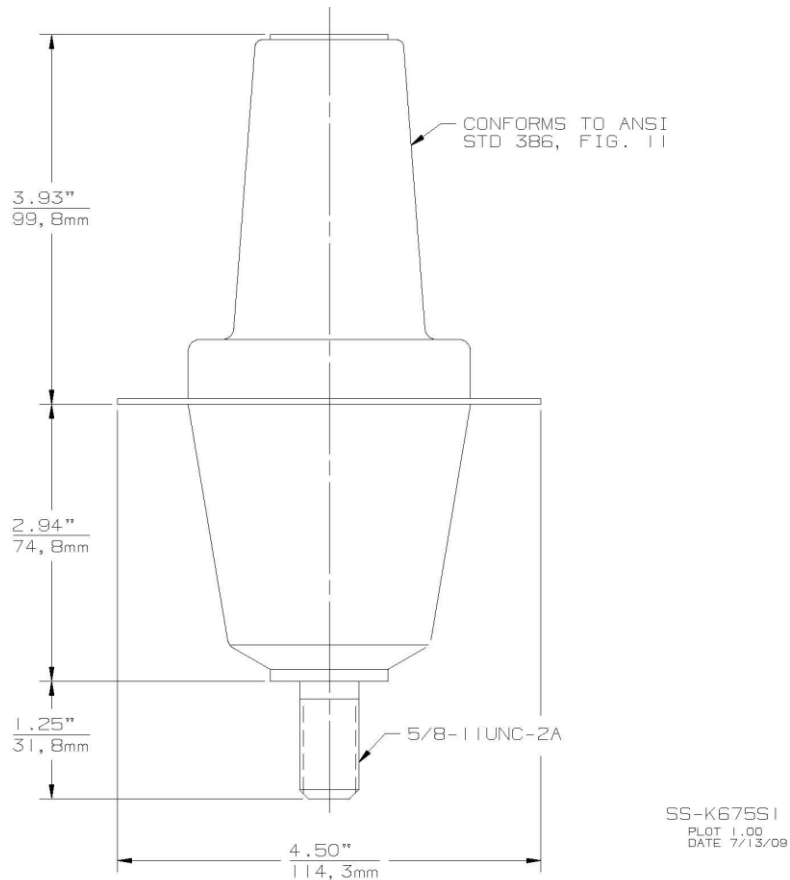
- Pad-mounted transformers
- Vault-type transformers
- Submersible transformers
- Switchgear

These bushings are available in short shank lengths at 2.938" for either cover or side-mount installations. They are molded of epoxy and have a stainless steel flange for welding or externally clamping to the apparatus. A conductive rubber shield at the mating surface with connecting devices provides a fully-shielded, cable-to-apparatus connection. Reference Applicable Elastimold welding guide. The bushing well is also available in removable stud well design "-R". The K675S1 model uses an all copper threaded connection to the apparatus.

Ratings:

Meets ANSI/IEEE Standard 386, Latest Revision
 25kV Voltage Class
 125kV BIL – Impulse Withstand (1.2 x 50 microsecond wave)
 40kV AC – One minute withstand
 19kV AC – Corona Extinction @ 3pC sensitivity
 600 Amp – Continuous
 4 Hour Overload – 900 Amps,
 12 Cycle Momentary – 25000 Amps, RMS, Asym
 3 Second Momentary – 10,000 Amps, RMS, Sym

15/25kV	600A Deadbreak Bushing	K650-S1, K675S1
---------	-------------------------------	-----------------



Ordering Instructions

To order a bushing for in-oil application through 25kV, specify whether an aluminum or all copper connection is desired:

STYLE NUMBER	SHANK LENGTH
K650-S1	2.938"
K675S1	2.938"

Example:

The ordering number for a bushing for in-oil application with a shank length of 2.938" and aluminum stud is K650-S1.

Note: For 900 A bushing, please order with Cat # K675S1, bushing is made with Copper . Dimensions are exactly the same. When 900 A application is used, the cable conductor, must be Cu also. "T" connector must be K675LR series.

- 1 600A or 900A Deadbreak Bushing
- 1 Instruction Sheet

- K650-S1 or K675S1
- IS-0061