

| | | |
|------|--|--------|
| 35kV | 600A Deadbreak Insulated Parking Bushing | 750SOP |
|------|--|--------|



Features:

- Fully rated 35kV, 600 Amp Deadbreak Insulated Parking Bushing
- Allows visible external separation, isolation, and dead-ending
- Stainless Steel Bracket
- Hot Stick Operable

750SOP Insulated Parking Bushing

Applications:

The Elastimold® 750SOP Insulated Parking Bushing is equipped with a 35kV class, 600 A deadbreak interface, a parking stand and hot stick operable mounting hardware. The 750SOP is inserted into the parking stand with an insulated hot stick and secured in place. Mating Elastimold® 755LR/756LR deadbreak elbows can then be placed on the 750SOP to provide a fully shielded and fully submersible connection. Provisions for grounding the 750SOP mounting bracket are included.

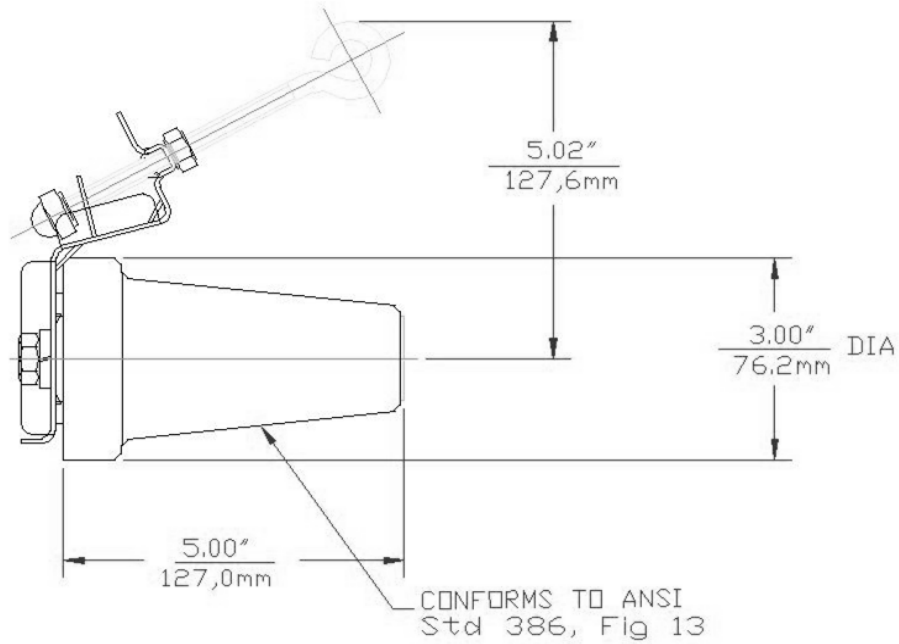
Ratings:

Meets ANSI/IEEE Standard 386, Latest Revision

For 35kV Voltage Class:

21.1kV Max Phase-to-Ground – Operating Voltage
 36.6kV Max Phase-to-Phase
 150kV BIL – Impulse Withstand (1.2 x 50 microsecond wave)
 50kV AC – One minute withstand
 103kV DC – 15 minutes withstand
 26kV AC – Corona Extinction @ 3pC sensitivity
 600 Amp – Continuous
 25kA Sym – 10 Cycles Momentary

| | | |
|------|---|--------|
| 35kV | 600A Deadbreak Insulated Parking Bushing | 750SOP |
|------|---|--------|



Ordering Instructions:

To order 35kV, 600A insulated parking bushing, specify **750SOP**.

Each kit contains the following:

- | | | |
|---|---------------------------|---------|
| 1 | Insulated Parking Bushing | 750SOP |
| 1 | Tube, lubricant | 82-08 |
| 1 | Installation Instruction | IS-0243 |

Example:

The ordering number for a 600 Amp insulated parking bushing is 750SOP.