

Flood-Seal® multi-port connectors

Aluminum Flood-Seal multi-port connectors – RAB series



RAB 1/0-21



RAB 1/0-3



RAB 6-C

High-performance, dual-rated connectors.

- Flood-Seal insulating rockets serve as waterproof spare outlet caps until used and are also resealable
- 6061-T6 aluminum connector construction provides high strength and high conductivity
- Dual-rated to accept a wide range of aluminum and copper conductors
- All connectors are 100% hi-pot tested at 4000 V for 60 seconds
- RAB 1/0 series offers compact design – great for street light applications
- RUS Accepted

RAB 1/0 series

Cat. no.	Conductor range (AWG or kcmil)	Outlets	Length (in.)
RAB 1/0-2	#14–1/0	2	1 ³ / ₄
RAB 1/0-3		3	2 ³⁹ / ₆₄
RAB 1/0-4		4	3 ⁷ / ₁₆
RAB 1/0-5		5	4 ⁹ / ₃₂
RAB 1/0-6		6	5 ¹ / ₈
RAB 1/0-7		7	5 ³¹ / ₃₂
RAB 1/0-8		8	6 ¹³ / ₁₆
RAB 1/0-9		9	7 ²¹ / ₃₂
RAB 1/0-10		10	8 ¹ / ₂
RAB 1/0-21		3	2 ³⁹ / ₆₄
RAB 1/0-22		4	3 ⁷ / ₁₆
RAB 1/0-31		4	3 ⁷ / ₁₆
RAB 1/0-32		5	4 ⁹ / ₃₂
RAB 1/0-33		6	5 ¹ / ₈
RAB 1/0-42		6	5 ¹ / ₈

Note: For oxide-inhibitor option, add “-C” suffix to the catalog number.

RAB 350 series

Cat. no.	Conductor range (AWG or kcmil)	Outlets	Length (in.)
RAB 2-C	#12 sol.–350	2	2 ⁷ / ₁₆
RAB 3-C		3	3 ⁵ / ₈
RAB 4-C		4	4 ¹³ / ₁₆
RAB 5-C		5	6
RAB 6-C		6	7 ¹ / ₈
RAB 8-C		8	9 ⁹ / ₁₆
RAB 10-C		10	11 ¹⁵ / ₁₆

Note: The RAB 350 series comes standard with inward-seal rockets. For outward-seal rockets, please consult your ABB representative. Provided with oxide inhibitor.

01 For EZ Torque® shear-head screws supplied in all outlets, add “-TS” suffix to the catalog number.



01

Flood-Seal® multi-port connectors

Aluminum Flood-Seal multi-port connectors – RAB and USB series



USB43S

Ideal for direct-burial, pedestal or vault installations.

- Field-adaptable cable sleeves enable installation on a wide range of conductor sizes
- Standard aluminum set screws with 5/16" socket hex spread compressive forces over conductor strands, reduce strand damage, result in lower contact resistance and provide high set-screw torque retention
- Compact design enables installation in limited spaces
- Dual-rated to accept a wide range of aluminum and copper conductors
- All connectors are 100% hi-pot tested at 4000 V for 60 seconds

- Built tough for rugged conditions – tough enough to withstand rough handling in the field, have an excellent dielectric strength rating (>700 V/mil) and have excellent aging characteristics under continuous high operating temperatures (to 130 °C)
- All connectors have oxide inhibitor and silicone grease to keep out moisture and make installation easy and convenient
- Comply with ANSI C119.1 and C119.4 as well as Western Underground C.G. 2.5
- RAB series is RUS Accepted

RAB 500 series

Cat. no.	Ports	Cable range (AWG or kcmil)	Length	
			in.	mm
RAB 35-C	3	#12–500	4.5	114
RAB 45-C	4		6.0	152
RAB 55-C	5		7.5	191
RAB 65-C	6		9.0	229
RAB 85-C	8		12.0	305

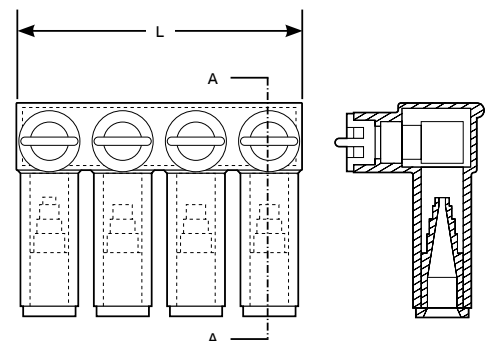
Note: Provided with oxide inhibitor.

USB 350 series

Cat. no.	Ports	Cable range (AWG or kcmil)	Length	
			in.	mm
USB33S	3	#12–350	3.6	91
USB43S	4		4.7	121
USB53S	5		5.9	150
USB63S	6		7.1	179
USB83S	8		9.4	238

Note: Provided with oxide inhibitor.

Diagrams



01 For EZ Torque® shear-head screws supplied in all outlets, add "-TS" suffix to the catalog number.

